

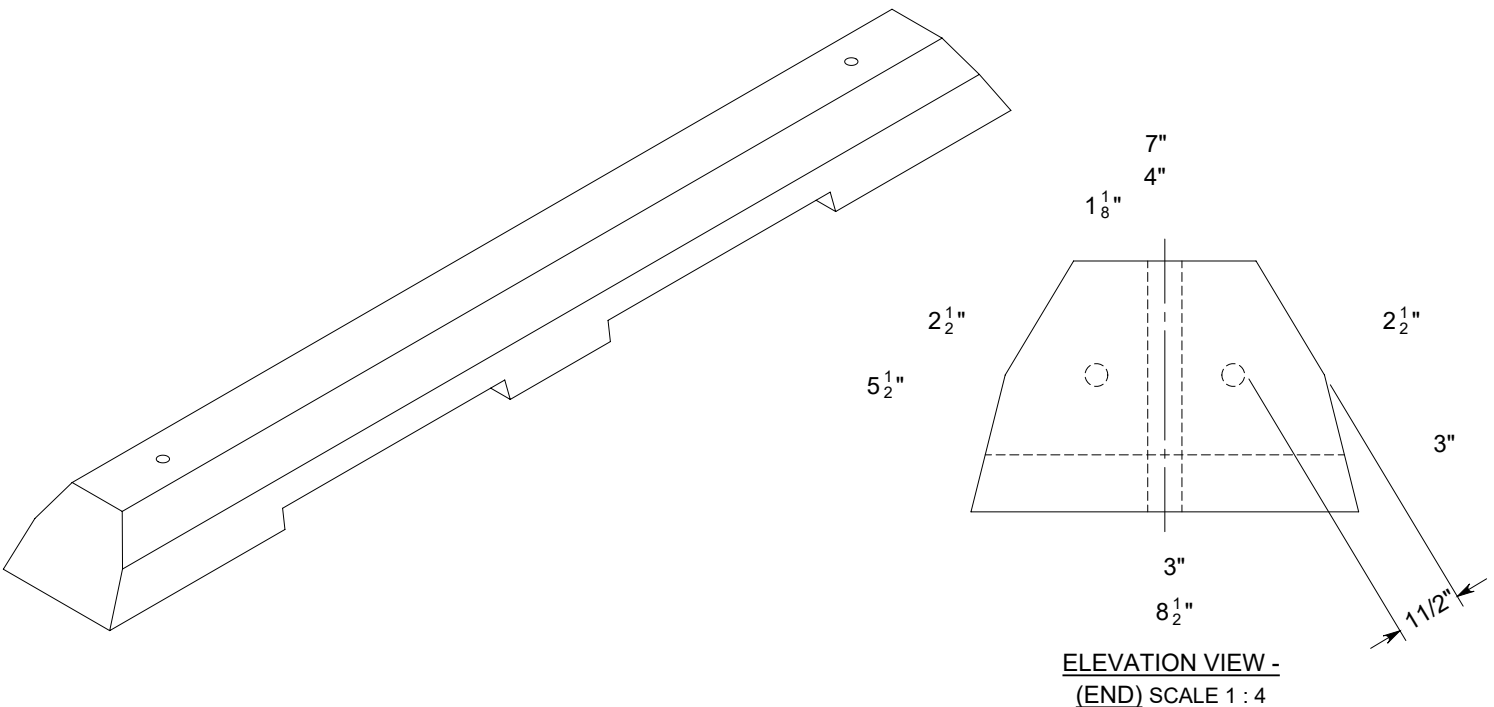
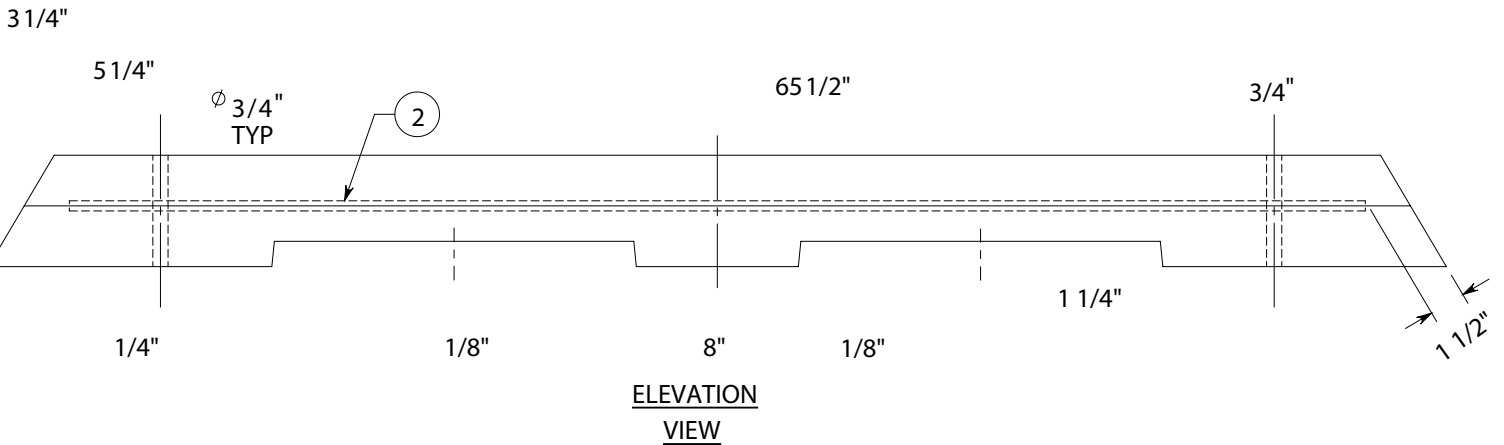


# Concrete Products

## Parking Lot Wheel Stops

### Item Details

- 1 inch hole provided for 18" x 3/4" steel stake
- Two #4 deformed, grade 60 re-bar for reinforcing
- 6 foot length - 300 lbs



Note: Drawings not to scale

[www.shopeconcrete.com](http://www.shopeconcrete.com)

1-800-422-7560 [TOLL FREE]



Shope Concrete, LLC  
1618 East Main Avenue  
Puyallup, WA 98372-3142

(253) 848-1551  
Fax Line 1 (253) 845-0292  
Fax Line 2 (253) 864-6172

